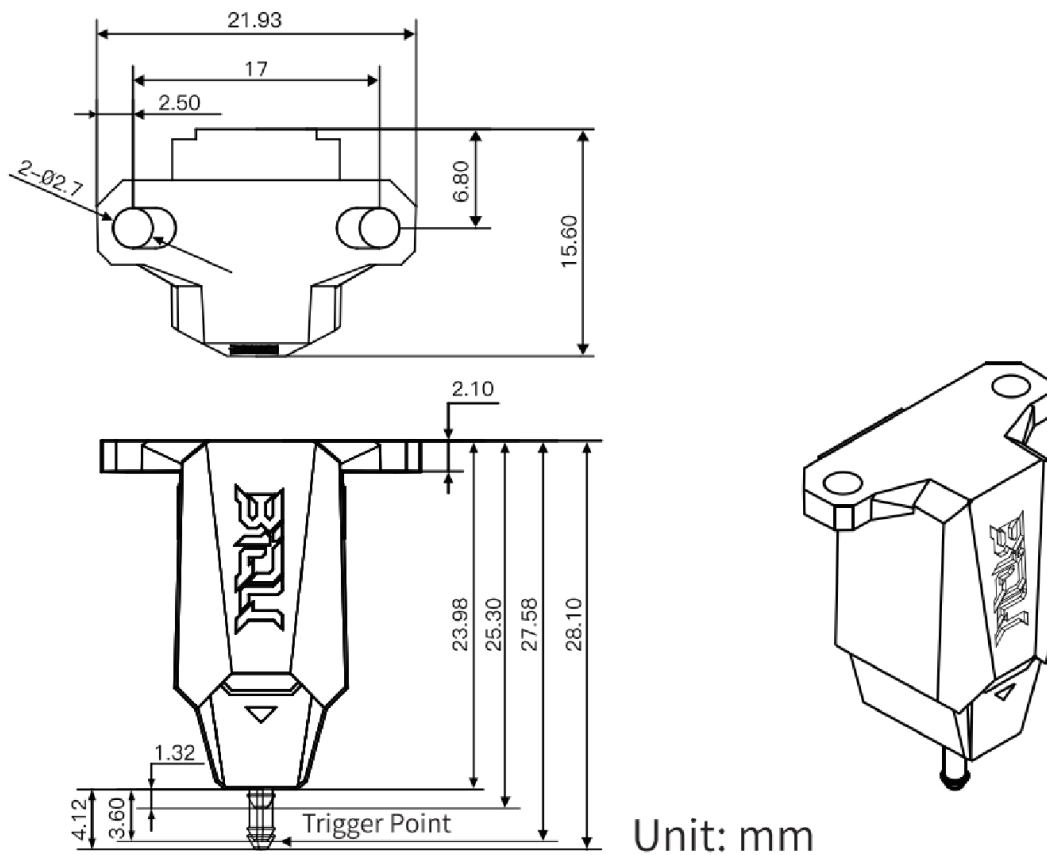


Product Dimensions

21.9 x 15.6 x 28.1 mm (Probe Extended)



Size Diagram

Note: When designing brackets, please place the bottom surface of the probe approx. 1-2 mm below the nozzle in the fully extended position.